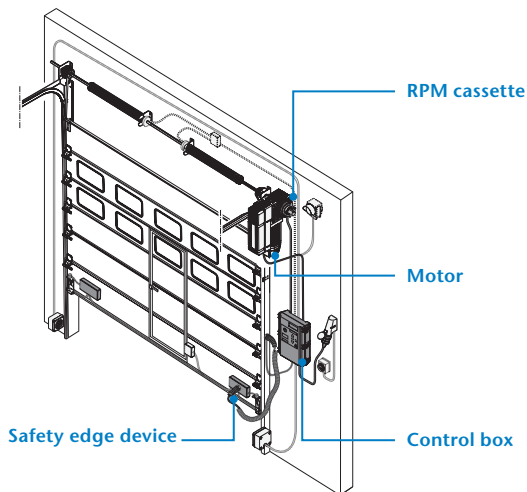


# KONE UniPower® Retrofit

A NEW LEASE ON LIFE FOR YOUR INDUSTRIAL DOORS

The KONE UniPower Retrofit package is suitable for upgrading the control and drive elements of any brand and type of industrial door, with no need for time-consuming and expensive changes to guides or panels. The process takes just a few hours, and the renewed mechanical and electrical components result in a safer door that is both more reliable and more efficient.

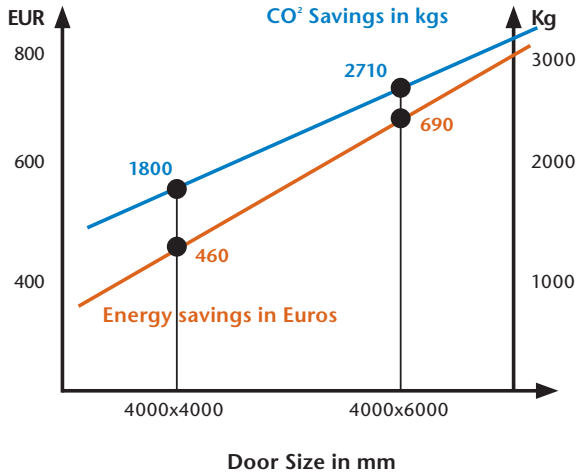
## UniPower key components



## KEY BENEFITS

- **Reliability and safety** – modern motor and control box mean reliable performance and comply with the latest performance and safety standards. Optional safety components include traffic-light indicators and a safety edge.
- **Eco-efficiency and productivity** – faster, more reliable operation can reduce building heating or cooling losses, and therefore energy costs.
- **Convenience** – fast opening and closing minimizes waiting times, door opening height is adjustable, and the optional handheld remote control eliminates the need for drivers to exit their vehicles.

## Energy savings with KONE UniPower Plus FU modernization package – payback in less than one year



Assumptions: 1) Cold air flow assumed by 5°C outside temperature and 20°C interior temperature metered in m<sup>3</sup>/h related to m<sup>2</sup> gate opening (existing from building geometry and wind load). 2) Thermal efficiency factor for heat supply: 85% 3) Price of fuel oil: 0,77 EUR/l (based on: 01.02.2011)

CONTACT DETAILS

KONE FL NAME

TEL. NO.

EMAIL